

BRANCH MANAGER ATTACHMENTS

Product Series
T1001 • T1010



**OPERATION, MAINTENANCE,
SPARE PARTS MANUAL**



Read this Manual
Before Use

TABLE OF CONTENTS

Products Covered In This Manual T1001 • T1010

GENERAL SPECIFICATIONS	03
SAFETY	04
CONTACT INFORMATION	07
SERIAL NUMBER/DECAL LOCATION	08
USER'S MOUNTING INSTRUCTIONS	10
OPERATING INSTRUCTIONS	12
ROUTINE MAINTENANCE	13
MOUNT PLATE IDENTIFICATION	14
PARTS INFORMATION - T1001	16
PARTS INFORMATION - T1010	20
ACCESSORY PRODUCTS	32
California Proposition 65 Warning Information	34
WARRANTY	35

REFERENCE INFORMATION

Write the serial number for your attachment in the spaces below. Always refer to this serial number when calling for service or parts.

Serial Number: _____

Model Number: _____

YOUR ATTACHMENT DEALER

ADDRESS:

PHONE:

CONTACT:

NOTE: Branch Manager LLC reserves the right to make improvements in design or changes in specifications at any time without notice and without incurring any obligations to install them on units previously sold.

NOTE: In this manual, the product this book is referring to may be stated as a "attachment", "equipment", or "product".

GENERAL SPECIFICATIONS

T1001

Max Grapple Opening	56"
Min Grapple Opening	5"
Wrapping Diameter	36"
Cylinder Size	2.0"
Max Hydraulic Pressure Rating	3000 PSI
Max Lift Capacity	2000 LBS
Weight T1001U	290 LBS
Weight T1001MT	325 LBS
Weight T1001A	300 LBS

T1010

Max Grapple Opening	56"
Min Grapple Opening	5"
Wrapping Diameter	36"
Cylinder Size	2.0"
Max Hydraulic Pressure Rating	3000 PSI
Max Lift Capacity	2000 LBS
Max Rotator Load Static	2248 LBS
Weight T1010U	367 LBS
Weight T1010MT	396 LBS
Weight T1010A	365 LBS

SAFETY

DO NOT use or perform maintenance on this machine until this manual has been read and understood. In addition, read the Operation and Maintenance Manual(s) pertaining to the attachment and the attachment carrier (“Loader”).

Safety First:

Before operating a Branch Manager LLC attachment, thoroughly familiarize yourself with this manual and the manuals for your skid steer loader and any specific attachments used.

Daily Inspections and Responsibility:

You are responsible for daily inspections and ensuring any necessary repairs or replacements are made to maintain the safe functionality of the attachment. Operating a damaged or worn attachment can lead to further damage, personal injury, and unsafe operation.

Alternate Procedures and Safety:

If you choose to use procedures, tools, maintenance, or work methods not specifically recommended by Branch Manager LLC, ensure they pose no harm to yourself and others and won't jeopardize the integrity of the attachment. We cannot predict every potential hazard, so exercise caution and heed all safety warnings in this manual and on the machine.

Terminology:

This manual uses “left-hand (LH)” and “right-hand (RH)” based on the operator's perspective facing forward.

For your safety, this manual identifies potential hazards throughout the text. Pay close attention to messages marked with a safety alert symbol (exclamation mark in a triangle). These messages highlight risks that could cause serious injury or death if the recommended precautions are not followed.



DANGER indicates a hazard with a high level of risk which, if not avoided, will result in death, serious injury and/or serious property damage.



WARNING indicates a hazard with a medium level of risk which, if not avoided, could result in death, serious injury and/or serious property damage.



CAUTION indicates a hazard with a low level of risk which, if not avoided, could result in minor or moderate injury and/or property damage.

The word **IMPORTANT** is used in the text when immediate damage will occur due to improper technique or operation.

The word **NOTE** is used to convey information that is out of context with the manual text; special information such as specifications, techniques, reference information, and other information of a supplementary nature.

Remember: Improper operation of this equipment can be fatal.

Before You Begin:

- This attachment is designed solely for handling natural debris. Never use it for other purposes.
- Consult your skid steer loader's manual before operating. Only authorized personnel should operate this Branch Manager LLC attachment.
- Provide operating instructions annually to all operators, adhering to OSHA regulations.
- Never exceed the attachment's recommended power or speed limitations. Doing so can cause injuries and equipment damage.
- Maintain all shields, guards, and covers in their designated locations.
- Do not modify the equipment or use unapproved attachments.
- Use mandatory safety lights and devices, following local regulations. Obey all laws regarding operating machinery in public areas.

Operation:

- Hydraulic connections may be hot after use. Use gloves when connecting or disconnecting after operation.
- Verify that all controls are in neutral before starting the engine.
- Maintain a safe distance between people and the loader and attachment while operating. It lifts objects and has moving parts. Never lift loads directly above people.
- To avoid electrical shock, never operate near overhead power lines.

Operation (Continued)

- Avoid operating near embankments or steep terrain that could cause rollovers.
- Remain in the operator's seat while using the attachment.
- Before leaving the operator's position, disengage hydraulic drive, lower the attachment to a level position, stop the engine, set the parking brake, and wait for all movement to cease.
- Never place hands near moving parts or clear debris while the engine is running.
- Never lift people with the attachment.

Hydraulic Fluid Hazards:

Escaping high-pressure fluid can penetrate the skin, causing serious injury.

- Release pressure before disconnecting hydraulic lines.
- Use a piece of paper or cardboard, not body parts, to check for suspected leaks.
- Wear protective gloves and safety glasses when servicing or performing maintenance on hydraulic systems.
- Seek immediate medical attention in case of an accident. Any injected fluid requires surgical removal within a few hours to prevent gangrene.



Maintenance

- Never perform adjustments, lubrication, cleaning, or any maintenance while the machine is operating.
- Perform daily maintenance on the attachment. Improper maintenance can lead to serious injuries, death, and damage to the attachment and/or your equipment.



Branch Manager Attachments' Log Grapples are not suited for concrete, rocks, construction materials, pulling stumps, or any other rock or metal materials.

SAFETY

Additional Safety Information:

- Avoid loose clothing that could get caught in moving parts.
- Remove jewelry such as rings or bracelets that could snag.
- Never operate the equipment with disassembled safety guards.
- Do not bypass or disable safety features.
- Washing operations should be conducted in designated areas with proper collection and disposal of water and contaminants.
- Refer to the skid steer loader manual for additional safety information specific to your machine.
- Maintain a 20-meter safety zone around the operating area of the machine.
- Only a single qualified operator should operate the equipment.
- Assess potential risks before each operation.
- Wear appropriate personal protective equipment (PPE) during operation and maintenance. This includes gloves, helmet, safety glasses, and sturdy shoes.

Manufacturer Responsibility:

Branch Manager LLC is not liable for damages caused by the equipment in the following cases:

- Improper use
- Inadequate operator understanding or training
- Incorrect installation
- Unauthorized modifications
- Improper maintenance
- Use of non-genuine parts
- Failure to follow safety instructions
- Accidents or exceptional events
- Lack of personal protective equipment
- Disregarding safety protocols

Operational Safety:

Pre-Operation Checks:

- Inspect the grapple for damage at the beginning of each shift. Tighten all fasteners regularly.

Product Limitations (Will Void Warranty):

- Our Log Grapples are not designed for:
 - Rocks or Boulders
 - Steel
 - Heavy spare parts
 - Concrete
 - Digging up stumps or rocks
- Using the grapple for these purposes can cause arm failure and lead to injury or property damage.

Load Capacity:

- Never exceed the grapple's recommended maximum load rating. Exceeding the limit can cause structural failure, resulting in injury or property damage.

Bystander Safety:

- Maintain a 50-foot (15-meter) safety zone around the machine while operating.
- **The operator must:**
 - Instruct unauthorized personnel to leave the danger zone immediately.
 - Be aware of personnel entering the danger zone.
- **Personnel must not be inside the danger zone.**
- **Load Awareness:**
 - The operator should be aware that the load, or parts of the load, could fall from the grapple at any time.

This Manual and Parts Request Forms can be found on
branchmanagerusa.com/resources/



SCAN THE QR CODE FOR OUR ONLINE RESOURCES

Product & Technical Support

CustomerService@BranchManagerUSA.com

612-400-3479

Branch Manager Mailing

PO Box 440

Champlin, MN 55316

Branch Manager Shipping

9539 US-10

Ramsey, MN 55303



Instagram



Facebook

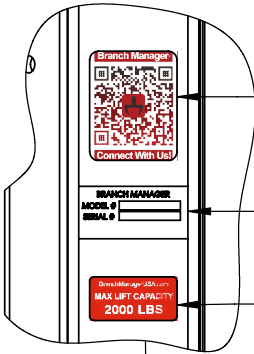


Youtube

SERIAL NUMBER/DECAL LOCATION

T1001

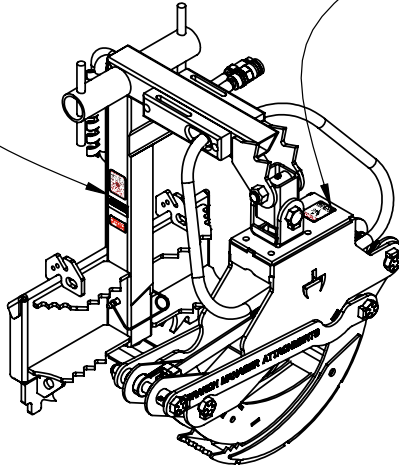
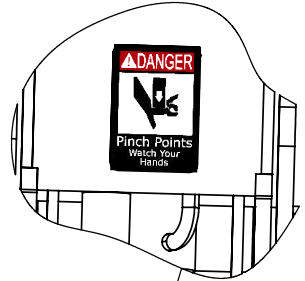
PINCH POINT
B420375



CONNECT WITH US
B421449

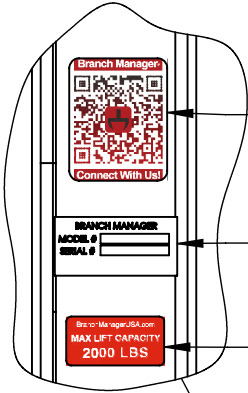
SERIAL NUMBER
B420367

MAX LIFT
B421213



T1010

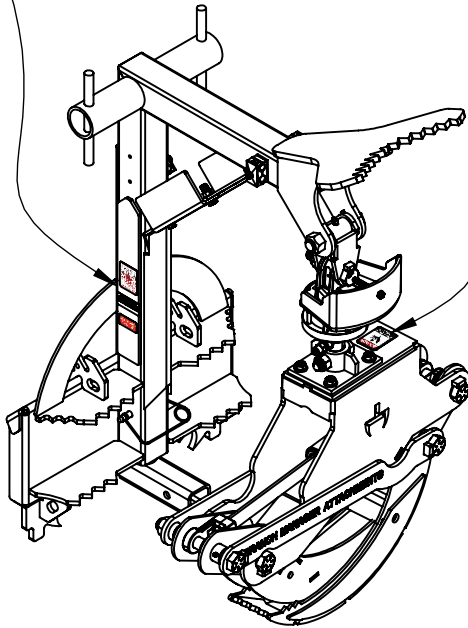
PINCH POINT
B420375



CONNECT WITH US
B421449

SERIAL NUMBER
B420367

MAX LIFT
B421213



USER'S MOUNTING INSTRUCTIONS

Before operating your attachment, ensure it's securely mounted to the loader using the following steps. This process follows the initial assembly of the attachment.



Always refer to your loader operator's manual for proper attachment connection or installation

Ensure the coupler wedges or pins are fully inserted through the designated holes in the attachment, and that the pins or levers are completely lowered and locked. Operating the attachment with unsecured pins could cause it to detach, leading to serious injury or death.



Mounting the Attachment:

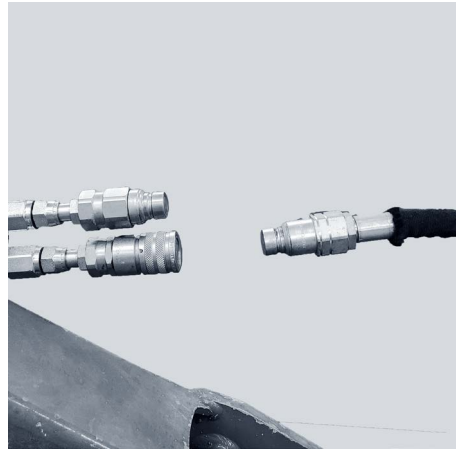
- 1. Skid Steer Safe Entry and Exit:** Use the designated steps, safety treads, and grab handles to climb onto and off the loader and attachment. Always prioritize your safety!
- 2. Secure Yourself:** Sit in the operator's seat, lower the seat bar if your model has one, and fasten your seat belt securely. Never operate the equipment without being properly restrained.
- 3. Precise Positioning:** Drive the loader forward until it's positioned directly behind the attachment (Picture 2). Ensure proper alignment for a secure connection.
- 4. Engage the Coupler:** Carefully position the loader's quick attach coupler into the designated mounting bracket on the attachment (Picture 2).
- 5. Secure Connection:** Tilt the loader coupler backward slightly until it fully engages and connects firmly with the attachment mounting bracket (Picture 2).
- 6. Power Down and Lock:** Stop the engine and engage the parking brake for stability. Finally, secure the coupler locking mechanism to firmly connect the attachment to the loader (Picture 3). *Note: Some loaders may have hydraulic locking pins, follow your loader operator manual.



Remember: Safety is paramount. Double-check all connections before operating the attachment.

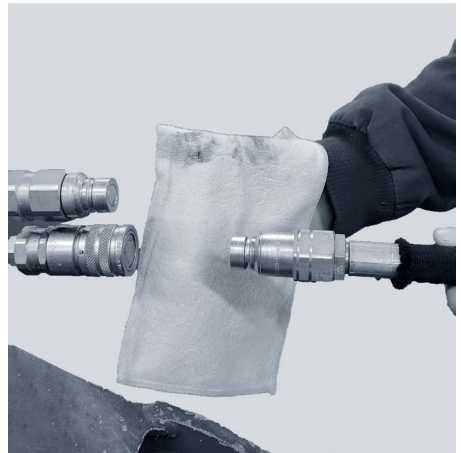
7. Connecting the Hydraulics:

- **Cleanliness is Key:** Before connecting, thoroughly wipe the ends of both the attachment's and loader's hydraulic quick couplers with a clean rag to remove any dirt, dust, or debris. Contaminated components can malfunction and void your warranty.
- **Secure Connection:** Ensure the quick couplers are fully engaged. If they don't connect easily, double-check that they are the same size and brand. Never force the couplers together.
- **Refer to Loader Manual:** The auxiliary circuit pressure may need to be adjusted for proper coupler engagement. Consult your loader's operator's manual for specific instructions on auxiliary hydraulics and connection procedures. *Note: Some loaders may have different connections, follow your loader operator manual.



8. Hose Routing:

- **Avoid Pinching:** Ensure the hoses are routed properly to prevent pinching or rubbing against tracks or tires throughout the attachment's full range of motion.
- **Multiple Options:** Depending on your loader model, there may be several acceptable routing options. Choose the one that best suits your specific equipment.
- **Owner Responsibility:** Remember, proper hose routing is the responsibility of the owner and/or operator. Pinched or stretched hoses are not covered under warranty.

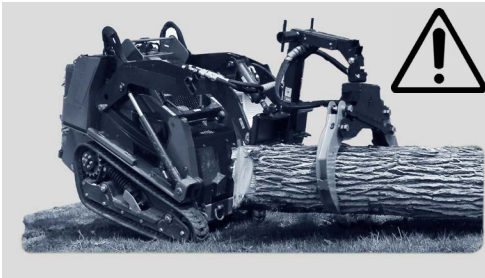


9. Ready to Operate:

Once the hydraulics are connected and hoses are routed properly, your attachment is ready for operation! To detach the attachment, follow these instructions in reverse order.

OPERATING INSTRUCTIONS

Operating the Attachment



Before You Begin:

- Ensure you are properly seated in the loader with the seat belt fastened and the seat bar lowered (if applicable).
- Start the engine.

Lifting Debris & Objects:

1. **Raise the Attachment:** Slightly raise the grapple attachment off the ground.
2. **Activate Hydraulics:** Engage the loader's auxiliary hydraulics to control the grapple. Open and close the grapple to grasp and secure the debris or object you want to move.

Safety First:

- **Stability Matters:** If the object appears unstable or unbalanced during the process, lower the attachment back to the ground and reposition the grapple for a more secure hold. Repeat until the object remains stable throughout lifting and moving.
- **Maintain a Safe Distance:** **Never** allow anyone to stand directly under the grapple or the load being lifted.
- **Minimize Tip-Over Risk:** Keep the lifted object as low to the ground as possible while transporting it to minimize the risk of tipping over or the load falling.
- **Respect Weight Limits:** **Never** exceed the rated lifting capacity of your skid steer loader, grapple, or attachment.

Remember: Always prioritize safety while operating the attachment.



Branch Manager Log Grapples are designed for grasping and moving logs or similar objects, and are not intended for ground engagement. Attempting to use the grapple to pull stumps, rocks, or other objects directly from the ground can damage the attachment and void your warranty. It may also lead to unsafe operating conditions.

Shutting Down and Disengaging:

1. **Lower and Secure:** Safely lower the attachment until it rests flat on the ground.
2. **Power Down:** Shut down the engine and engage the parking brake.
3. **Release Pressure:** Relieve the hydraulic pressure to the attachment and wait for all movement to stop completely.

Importance of Daily Inspections:

It's the operator's responsibility to conduct daily inspections of both the loader and attachment. Look for:

- Damage to components
- Loose bolts
- Fluid leaks
- Any other potential service or safety hazards

Preventive Maintenance:

Performing routine maintenance helps prevent problems and reduces overall maintenance costs. The following is an important step in preventive maintenance:

- **Bolt Check:** After the first hour of operation, tighten all bolts on the attachment to address any potential loosening.
- **Greasing:** Before each use or daily, and immediately after washing, grease all grease points on the attachment. This helps reduce friction and wear on moving parts.

Following these steps after operation ensures a safe shutdown and promotes the importance of preventative maintenance through daily inspections and initial bolt checks.

Preparing for Storage

When you won't be using the attachment for an extended period, follow these steps to store it properly and ensure it's ready for future use:

1. **Thorough Cleaning:** Give the attachment a good cleaning with mild soap and water. This removes dirt, grime, and debris that could potentially cause corrosion or other issues during storage.
2. **Tighten Up:** Inspect all bolts, nuts, and screws for tightness. Address any loose fasteners by tightening them to torque spec or securely if top lock nuts were used. If you find any damaged or worn parts, replace them before storing the attachment.
3. **Protect Exposed Metal:** For any scratched or bare metal surfaces, apply a fresh coat of lubrication or paint. This helps prevent rust and corrosion during storage. You can find compatible paint at your authorized dealer or a hardware store.
4. **Find a Safe Haven:** Choose a clean and dry location for storage, such as a garage or a sheltered area. Ideally, cover the attachment with a tarp or protective cover to keep it clean and shielded from dust and other elements.

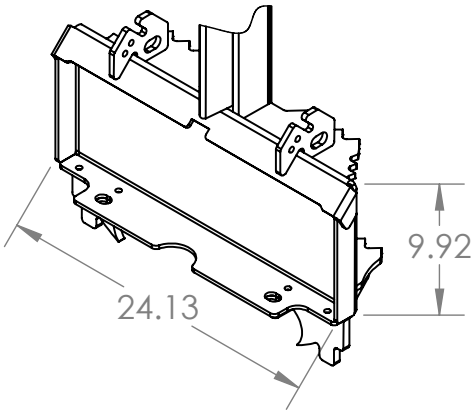
By following these storage practices, you'll help extend the lifespan of your attachment and ensure it's in optimal condition when you need it next.

MOUNT PLATE IDENTIFICATION

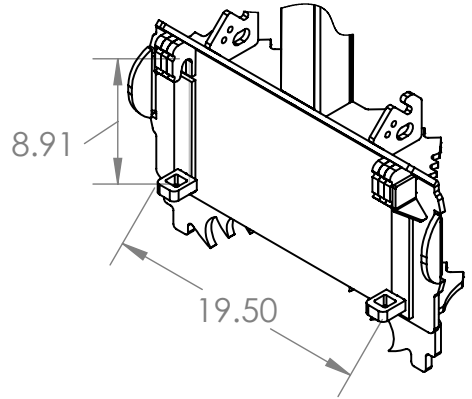
ITEM	PART NUMBER	DESCRIPTION	QTY.
1	B100000U	T1001U - Hanger Mini Universal	1
1	B120000U	T1010U - Hanger Mini Universal Powered Rotation	1
2	B100000A	T1001A - Hanger Mini European	1
2	B120000A	T1010A - Hanger Mini European Powered Rotation	1
3	B100000MT	T1001MT - Hanger Bobcat MT	1
3	B120000MT	T1010MT - Hanger Bobcat MT Powered Rotation	1
--	<i>B100000*</i>	<i>T1001* - Contact Branch Manager Attachments</i>	1
--	<i>B120000*</i>	<i>T1010* - Contact Branch Manager Attachments</i>	1

** Contact Branch Manager for other machine mount types*

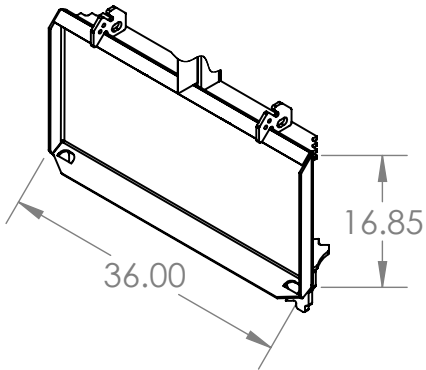
1 Mini Universal



2 Mini European



3 Bobcat MT



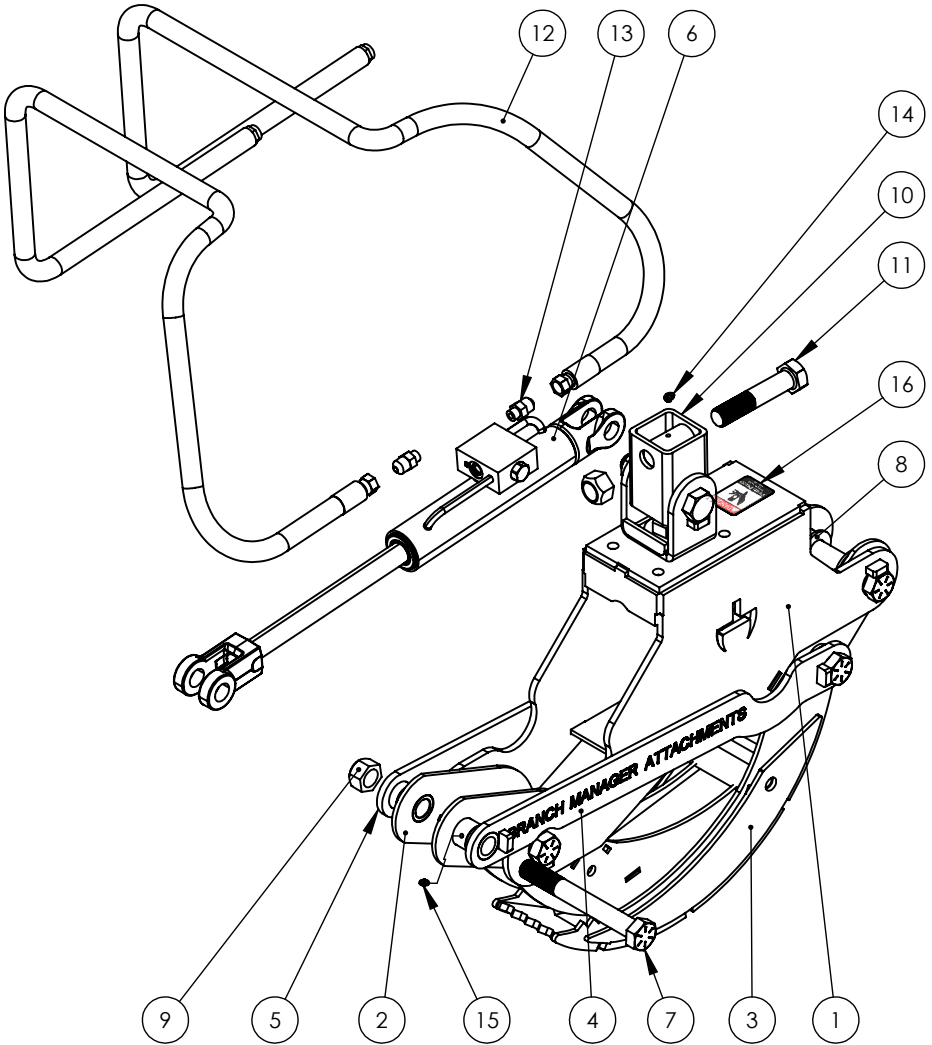
** Contact Branch Manager for other machine mount types*

PARTS INFORMATION - T1001

Parts Breakdown: T1001HEAD

ITEM	PART NUMBER	DESCRIPTION	QTY.
1	T1001BODY	BMG BODY WITH CLEVIS	1
2	B420101	SMALL ARM, BMG	1
3	B420102	LARGE ARM, BMG	1
4	B420088L	LEFT, FRONT, TRANSFER, ARM, BMG	1
5	B420088R	RIGHT, BACK, TRANSFER, ARM, BMG	1
6	B420653	CYLINDER 2X8 PILOT CHECK VALVE CYLINDER	1
7	B100001-G8	1"X 8" BOLT GR 8	4
8	B420355	1 WASHER SAE G8	2
9	B100004	1" TOPLOCK NUT	6
10	B420006	BMG KNUCKLE	1
11	B120004	1" X 5" BOLT GR 8	2
12	B170047	HOSE 108" X 1/2" 4000 PSI 8FJIC TO 1/2" MP	2
13	B420668	FITTING 6MB - 8MJIC	2
14	B150037	ZERK FITTING 45 DEG.	2
15	B150038	ZERK FITTING STRAIGHT	6
16	B420375	DECALS PINCH POINT	1

T1001HEAD

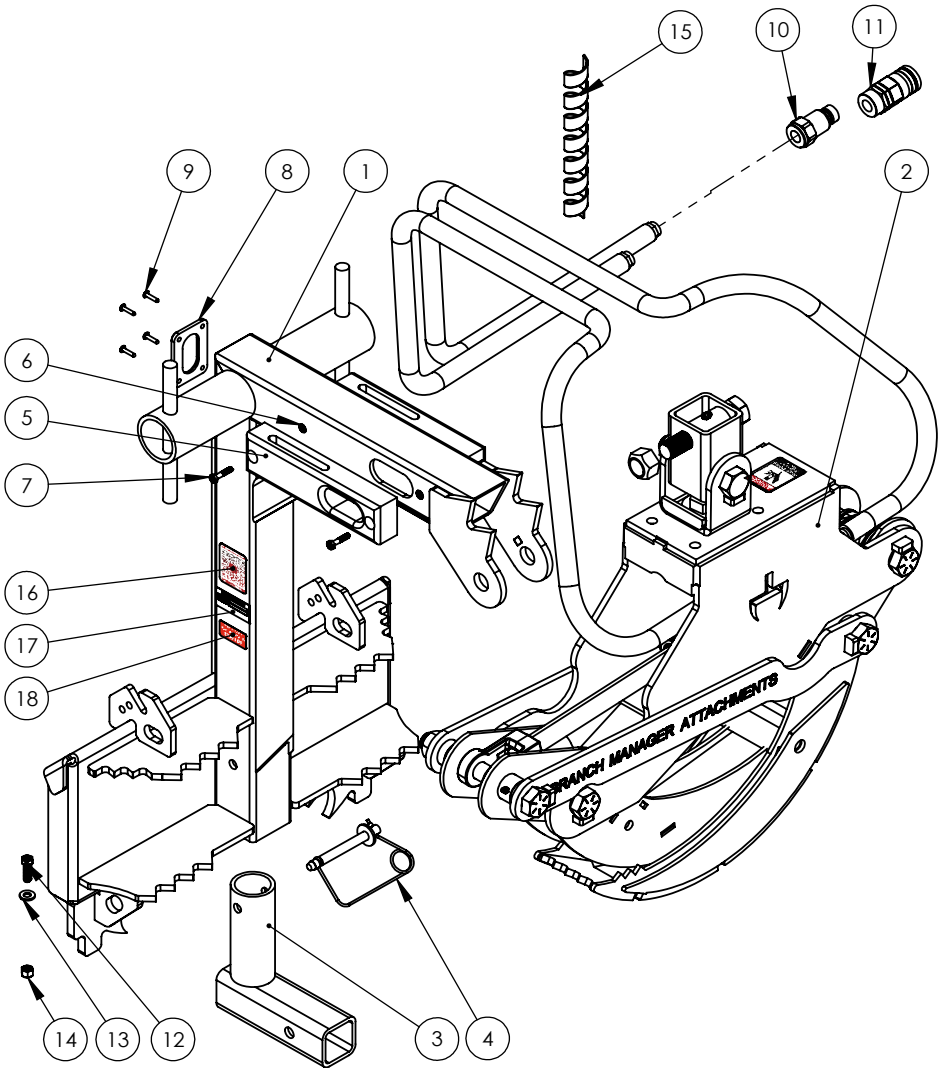


PARTS INFORMATION

Parts Breakdown: T1001U

ITEM	PART NUMBER	DESCRIPTION	QTY.
1	B100000U	HANGER BMG UNIVERSAL MOUNT WELDMENT	1
2	T1001HEAD	BMG GRAPPLE HEAD	1
3	B420141	RECEIVER HITCH BMG	1
4	B420142	1/2"X3 1/2" PIN (RECEIVER HITCH SNAPPER PIN)	1
5	B421065	SAW SCABBARD 1PC	2
6	B421225	1/4-20 NUTSERT FLANGE STEEL RIVNUT	4
7	B420821	1/4" X 1 1/4" BOLT G8	4
8	B100000_18	HOSE PROTECTOR	1
9	B421189	3/16 X 5/8G, ALUM-ALUM RIVET	4
10	B170004	FLAT FACE MALE COUPLER 1/2"FP	1
11	B170005	FLAT FACE FEMALE COUPLER 1/2"FP	1
12	B421184	3/8" X 1 1/4" Bolt G5	2
13	B421185	3/8" Washer Flat G5	2
14	B420372	3/8" NUT NYLOCK G5	2
15	B150089	SPIRAL WRAP LARGE	1
16	B421449	DECALS CONNECT WITH US QR CODE	1
17	B420367	DECALS SERIAL # BRANCH MANAGER	1
18	B421213	MAX LIFT CAPACITY DECAL 2000 LBS	1

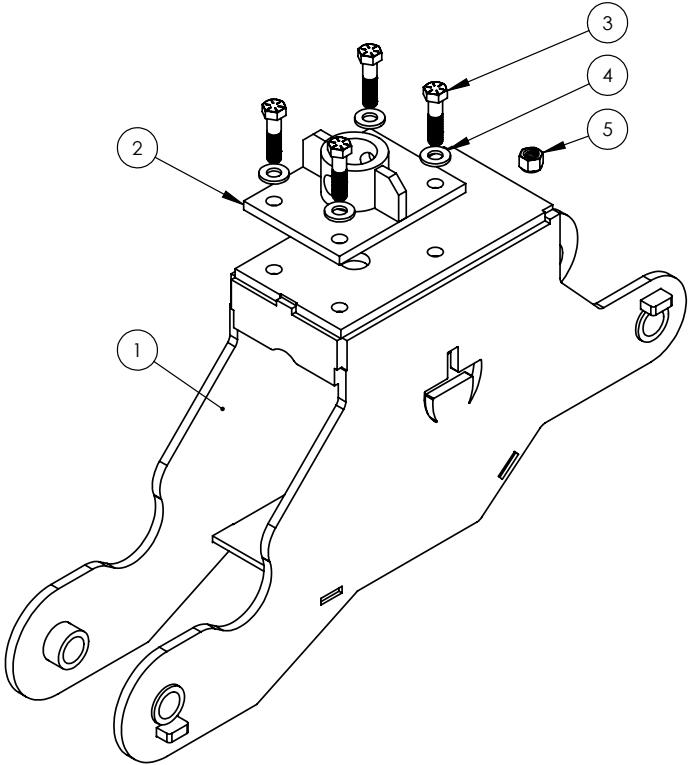
T1001U



Parts Breakdown: T1010BODY

ITEM	PART NUMBER	DESCRIPTION	QTY.
1	B420103R	BODY, BMG	1
2	B120001	BRACKET ROTATOR, 1 TON TO GRAPPLE	1
3	B420364	1/2" X 2" BOLT G8	4
4	B380007-SAE	1/2" WASHER SAE G8	4
5	B420335	1/2" Nut Nylock G8	4

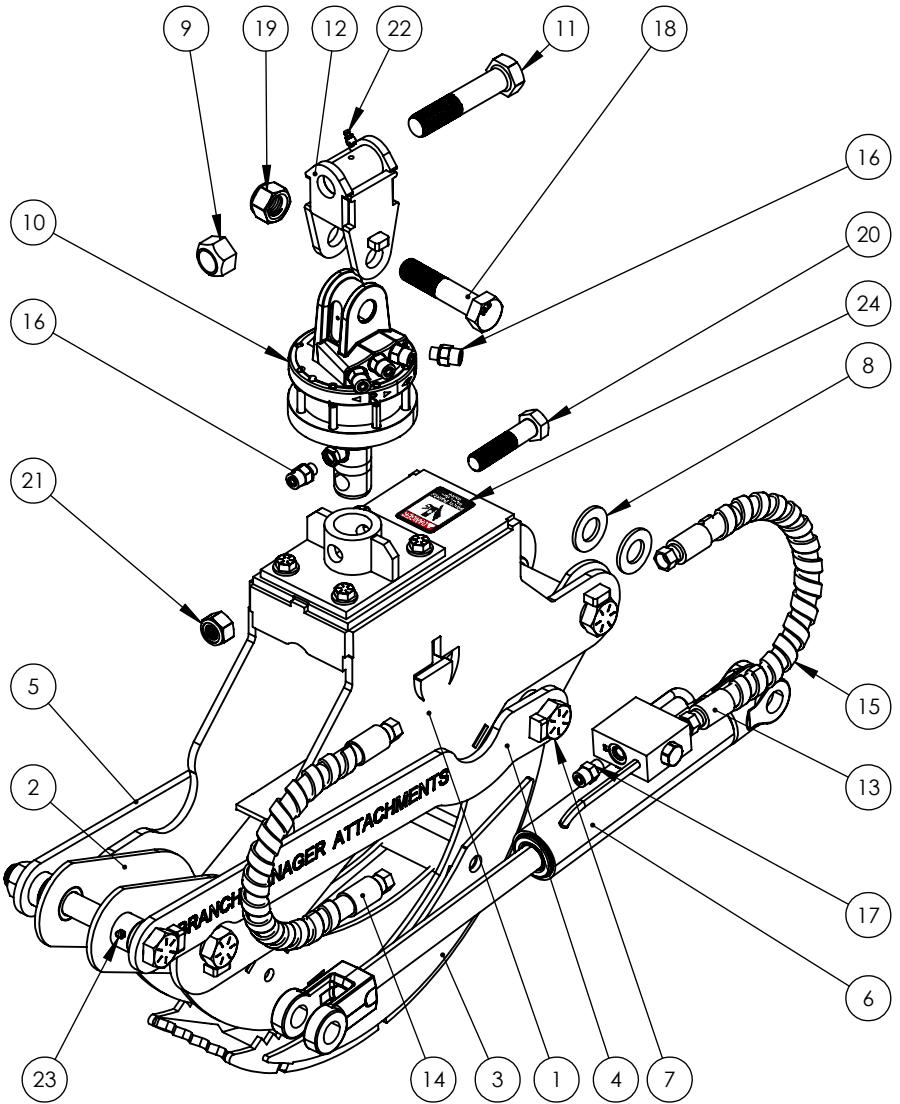
T1010BODY



PARTS INFORMATION

Parts Breakdown: T1010HEAD

ITEM	PART NUMBER	DESCRIPTION	QTY.
1	T1010BODY	BMGR BODY WITH BRACKET ROTATOR	1
2	B420101	SMALL ARM, BMG	1
3	B420102	LARGE ARM, BMG	1
4	B420088L	LEFT, FRONT, TRANSFER, ARM, BMG	1
5	B420088R	RIGHT, BACK, TRANSFER, ARM, BMG	1
6	B420653	CYLINDER 2X8 PILOT CHECK VALVE CYLINDER	1
7	B100001-G8	1"X 8" BOLT GR 8	4
8	B420355	1 WASHER SAE G8	2
9	B100004	1" TOPLOCK NUT	5
10	B120016	ROTATOR 1 TON CR100 FINN	1
11	B120004	1" X 5" BOLT GR 8	1
12	B420144 V2	KNUCKLE ROTATOR BMGR FOLDED	1
13	B420858	HOSE 19IN 6FFFS - 6FFFS .375	1
14	B420859	HOSE 21IN 6FFFS - 6FFFS .375	1
15	B150090	SPIRAL WRAP BLACK 20MM	2
16	B420918	FITTING 6MFFS - 4MBSPP	6
17	B420666	FITTING 6MB - 6MFFS	2
18	B100033	24MM X 110MM BOLT	1
19	B420658	24MM NYLOCK	1
20	B420455	20MMX90MM BOLT G8	1
21	B420657	20MM NYLOCK	1
22	B150037	ZERK FITTING 45 DEG.	1
23	B150038	ZERK FITTING STRAIGHT	6
24	B420375	DECALS PINCH POINT	1

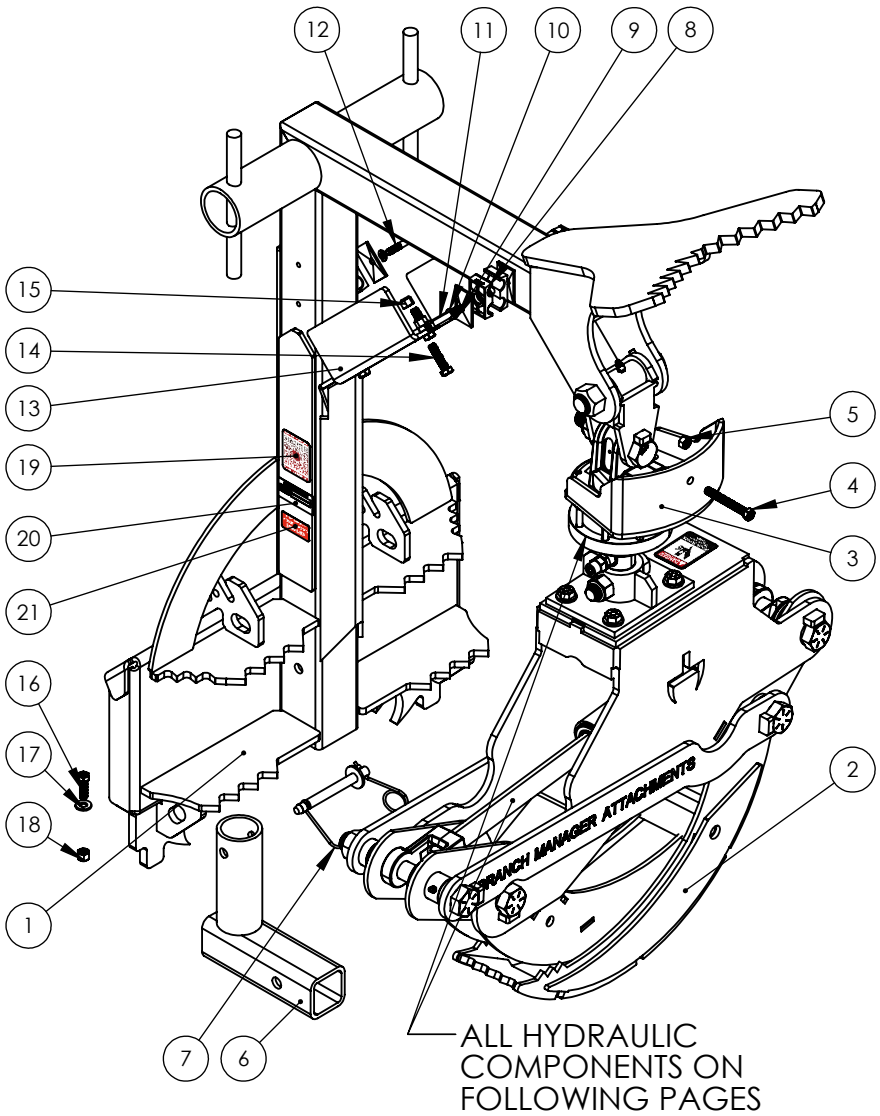
T1010HEAD

PARTS INFORMATION

Parts Breakdown: T1010U

ITEM	PART NUMBER	DESCRIPTION	QTY.
1	B120000U	HANGER BMGR MINI UNIVERSAL MOUNT	1
2	T1010HEAD	BMGR GRAPPLE HEAD	1
3	B420676	GUARD, FINN 1 TON, BM	1
4	B420761	3/8"X3" BOLT FULLY THREADED	1
5	B380014	3/8" NUT	1
6	B420141	RECEIVER HITCH BMG	1
7	B420142	1/2"X3 1/2" PIN (RECEIVER HITCH SNAPPER PIN)	1
8	B420352	CLAMP HOSE 3/8" PLASTIC	6
9	B420353	CLAMP HOSE 3/8" STEEL TOP	5
10	B420844	5/16" LOCK WASHER G8	3
11	B420157	5/16" X 2 1/2" BOLT G8	2
12	B420354	5/16" X 2" BOLT G8	1
13	B120029	DIVERTER GUARD WELDMENT	2
14	B380010	3/8" X 1 1/2" BOLT G8	4
15	B380012	3/8" NUT NYLOCK G8	4
16	B421184	3/8" X 1 1/4" BOLT G5	1
17	B421185	3/8" WASHER FLAT G5	1
18	B420372	3/8" NUT NYLOCK G5	1
19	B421449	DECALS CONNECT WITH US QR CODE	1
20	B420367	DECALS SERIAL # BRANCH MANAGER	1
21	B421213	MAX LIFT CAPACITY DECAL 2000 LBS	1

T1010U

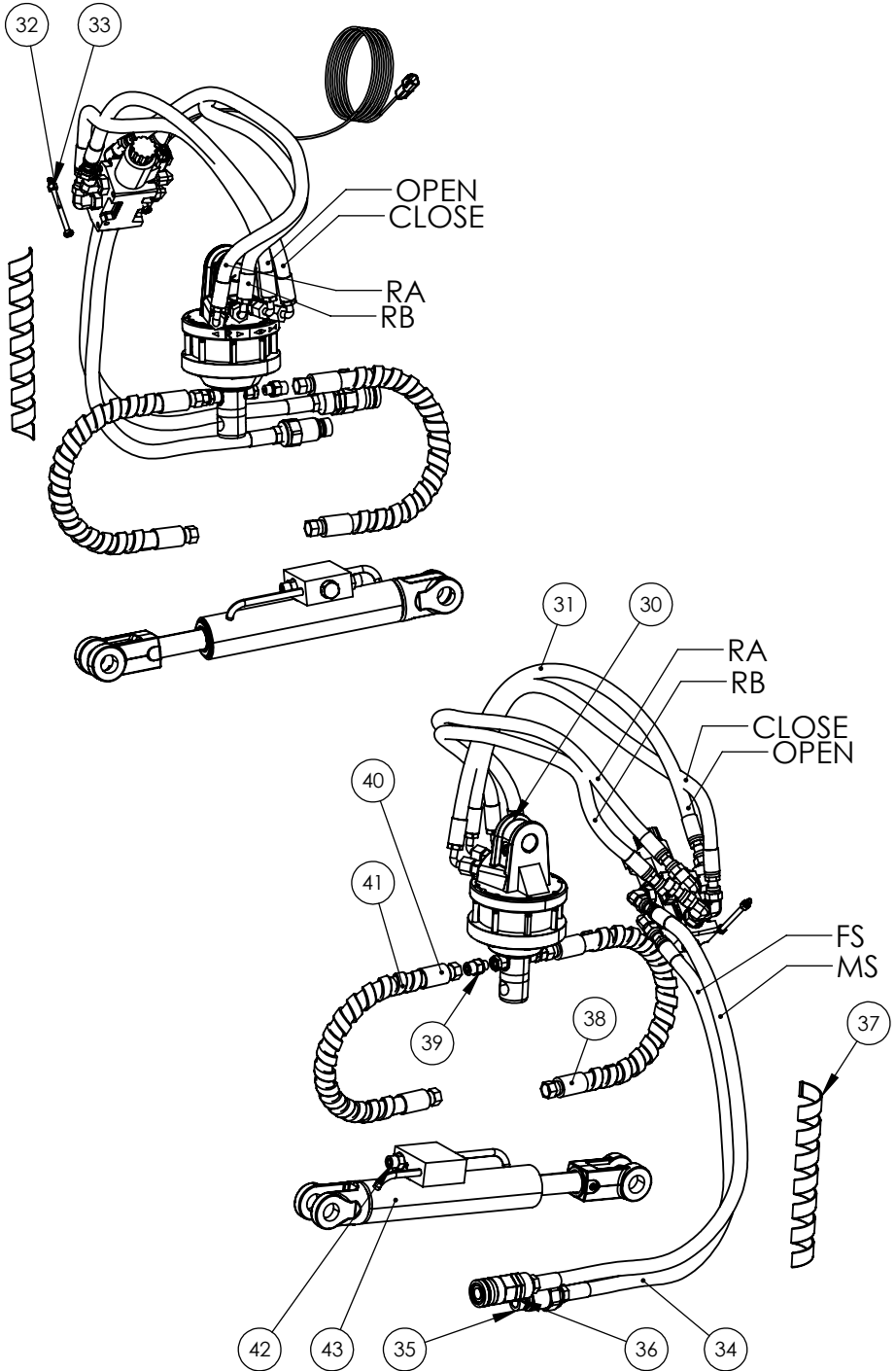


PARTS INFORMATION

Parts Breakdown: T1010 Hydraulics

ITEM	PART NUMBER	DESCRIPTION	QTY.
30	B120016	ROTATOR 1 TON CR100 FINN	1
31	B420860	HOSE 36IN .375 6FFFS 90DEG TO 6FFFS	4
32	B421063	1/4"X3.5" BOLT G8	2
33	B380002	.25IN NUT, NYLOC G8	2
34	B420861	HOSE 62" X 3/8" SUPPLY ASSEMBLY 6FFFS - 1/2" MP BMGR	2
35	B170004	FLAT FACE MALE COUPLER 1/2"FP	1
36	B170005	FLAT FACE FEMALE COUPLER 1/2"FP	1
37	B150089	SPIRAL WRAP LARGE	1
38	B420859	HOSE 21IN 6FFFS - 6FFFS .375	1
39	B420918	FITTING 6MFFS - 4MBSPP	6
40	B420858	HOSE 19IN 6FFFS - 6FFFS .375	1
41	B150090	SPIRAL WRAP BLACK 20MM	2
42	B420666	FITTING 6MB - 6MFFS	2
43	B420653	CYLINDER 2X8 PILOT CHECK VALVE CYLINDER	1

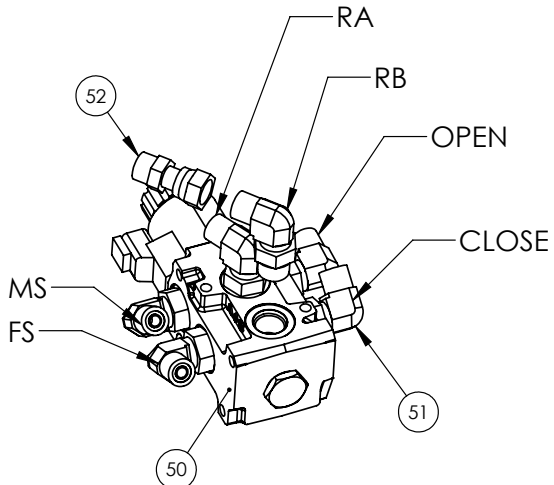
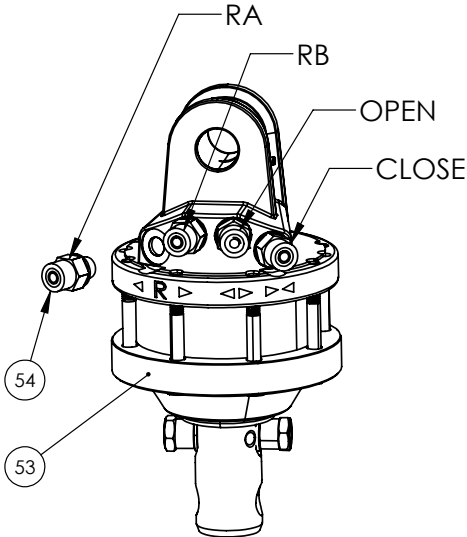
T1010 Hydraulics



PARTS INFORMATION

Parts Breakdown: T1010 Diverter

ITEM	PART NUMBER	DESCRIPTION	QTY.
50	B420846	DIVERTER 6 WAY VALVE DEUTSCH	1
51	B420863	FITTING 8MB - 6MFFS 90 DEG	6
52	B421481	FITTING RESTRICTOR 6MFFS - 6FFFS .047	1
53	B120016	ROTATOR 1 TON CR100 FINN	1
54	B420918	FITTING 6MFFS - 4MBSPP	4

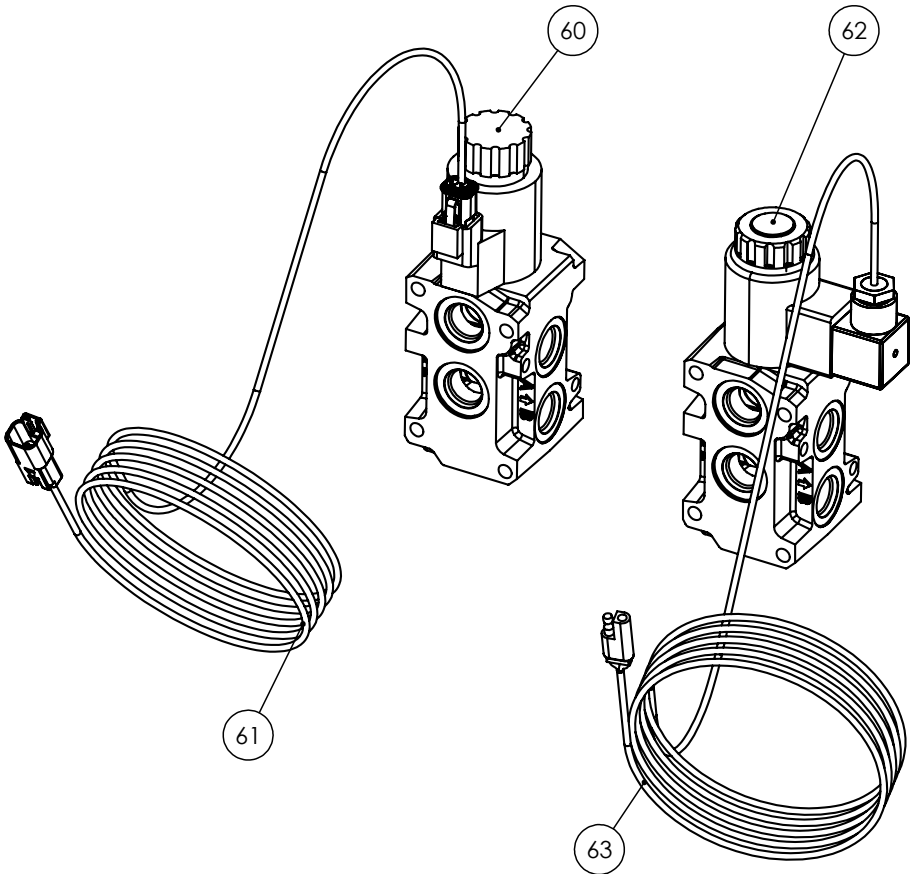


Parts Breakdown: T1010 Diverter Options

ITEM	PART NUMBER	DESCRIPTION	QTY.
60	B420846	DIVERTER 6 WAY VALVE DEUTSCH	1
61	B421098	WIRE HARNESS 92" DEUTSCH PLUG & SOCKET	1
62	B420845	DIVERTER 6 WAY VALVE DIN	1
63	B421560	WIRE HARNESS, 86" 2 POLE SAE TO DIN	1

Deutsch

DIN



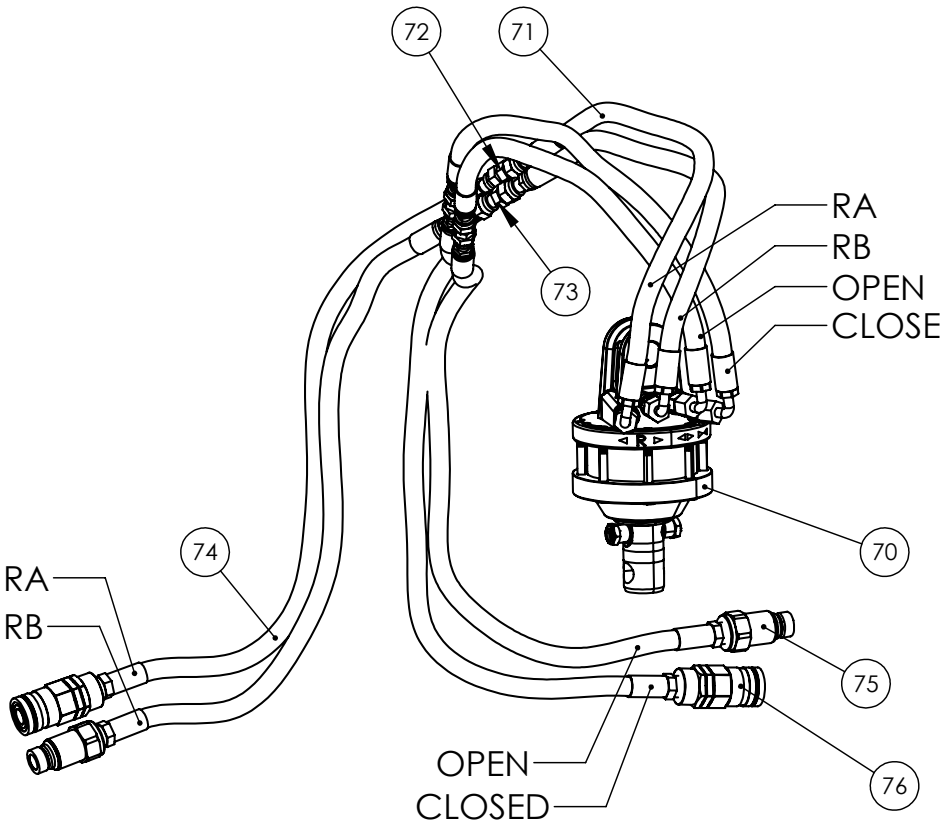
* Your product may have one of these styles of oil diverter

PARTS INFORMATION

Parts Breakdown: T1010 Dual Auxilliary

ITEM	PART NUMBER	DESCRIPTION	QTY.
70	B120016	ROTATOR 1 TON	1
71	B420860	HOSE 36IN .375 6FFFS 90DEG TO 6FFFS	4
72	B420871	FITTING 6MFFS - 6MFFS	4
73	B421481	FITTING RESTRICTOR 6MFFS - 6FFFS .047	1
74	B420861	HOSE 62" X 3/8" SUPPLY ASSEMBLY 6FFFS - 1/2" MP BMGR	4
75	B170004	FLAT FACE MALE COUPLER 1/2"FP	2
76	B170005	FLAT FACE FEMALE COUPLER 1/2"FP	2

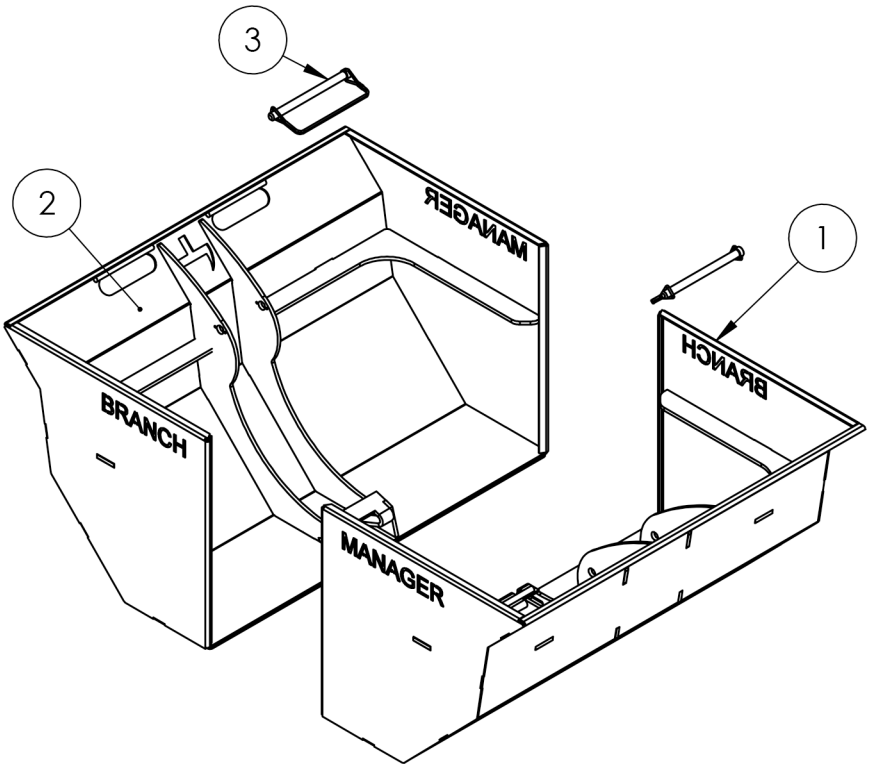
T1010 Dual Auxilliary (4-Hose)



ACCESSORY PRODUCTS

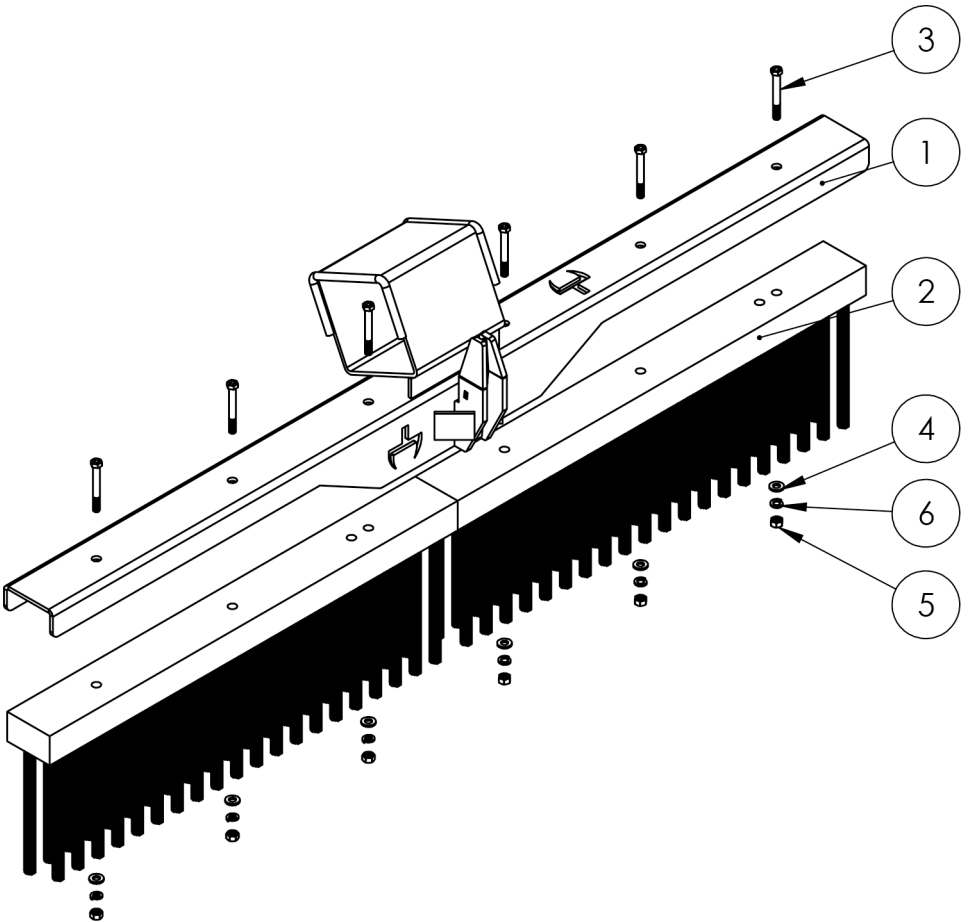
Accessory Product: T1060 Clamshells

ITEM	PART NUMBER	DESCRIPTION	QTY.
1	B420163	SCOOP LARGE ARM ON BMG	1
2	B420164	SCOOP SMALL ARM ON BMG	1
3	B421081	1/2"X6.0 PIN (CLAMSHELLS SNAPPER PIN)	2



Accessory Product: T1070 BMG Rake

ITEM	PART NUMBER	DESCRIPTION	QTY.
1	B420162	FRAME RAKE BMG	1
2	B420184	3' SECTION OF RAKE / BRUSH REPLACMENT	2
3	B420159	7/16" X 3 1/2" BOLT G5	6
4	B420160	7/16" WASHER USS FLAT G5	6
5	B420161	7/16" NUT G5	6
6	B420368	7/16" WASHER LOCK G5	6



California Proposition 65 Warning Information

What is this warning?

You may see a product for sale that has a warning label like the following:



WARNING: Cancer and Reproductive Harm—www.p65Warnings.ca.gov.

What is Prop 65?

Prop 65 applies to any company operating in California, selling products in California, or manufacturing products that may be sold in or brought into California. It mandates that the Governor of California maintain and publish a list of chemicals known to cause cancer, birth defects, and/or other reproductive harm. The list, which is updated annually, includes hundreds of chemicals found in many everyday items. The purpose of Prop 65 is to inform the public about exposure to these chemicals.

Prop 65 does not ban the sale of products containing these chemicals but instead requires warnings on any product, product packaging, or literature with the product. Moreover, a Prop 65 warning does not mean that a product is in violation of any product safety standards or requirements. In fact, the California government has clarified that a Prop 65 warning “is not the same as a regulatory decision that a product is ‘safe’ or ‘unsafe.’” Many of these chemicals have been used in everyday products for years without documented harm. For more information, go to <https://oag.ca.gov/prop65/faqs-view-all>.

A Prop 65 warning means that a company has either (1) evaluated the exposure and has concluded that it exceeds the “no significant risk level”; or (2) has chosen to provide a warning based on its understanding about the presence of a listed chemical without attempting to evaluate the exposure.

Does this law apply everywhere?

Prop 65 warnings are required under California law only. These warnings are seen throughout California in a wide range of settings, including but not limited to restaurants, grocery stores, hotels, schools, and hospitals, and on a wide variety of products. Additionally, some online and mail order retailers provide Prop 65 warnings on their websites or in catalogs.

How do the California warnings compare to federal limits?

Prop 65 standards are often more stringent than federal and international standards. There are various substances that require a Prop 65 warning at levels that are far lower than federal action limits. For example, the Prop 65 standard for warnings for lead is 0.5 µg/day, which is well below the federal and international standards.

Why don't all similar products carry the warning?

- Products sold in California require Prop 65 labelling while similar products sold elsewhere do not.
- A company involved in a Prop 65 lawsuit reaching a settlement may be required to use Prop 65 warnings for its products, but other companies making similar products may have no such requirement.
- The enforcement of Prop 65 is inconsistent.
- Companies may elect not to provide warnings because they conclude that they are not required to do so under Prop 65; a lack of warnings for a product does not mean that the product is free of listed chemicals at similar levels.

Why are there Prop 65 warnings on Branch Manager Attachments?

Branch Manager Attachments has chosen to provide consumers with as much information as possible so that they can make informed decisions about the products they buy and use. In certain cases, warnings are provided based on the presence of one or more listed chemicals, without evaluating the level of exposure, as not all the listed chemicals provide exposure limit requirements. While the exposure from Branch Manager Attachments may be negligible or well within the “no significant risk” range, out of an abundance of caution, the company has elected to provide the Prop 65 warnings. Moreover, if Branch Manager Attachments does not provide these warnings, it could be subject to penalties under California law.

LIMITED WARRANTY

Branch Manager LLC - Limited Manufacturer Warranty Policy (One Year)

Branch Manager LLC, the Manufacturer, to be referred to here after, as "Seller" in this document, warrants the manufactured products for one (1) year on welded connections, to the original purchaser or end user, to be referred to as the "Buyer" in this document. This is limited to components that are manufactured by the Seller, not purchased from other manufactures. At the time of a warranty claim, the Seller will provide information stating whether the parts are considered Seller "OEM" or "purchased" from other manufactures (NON-OEM).

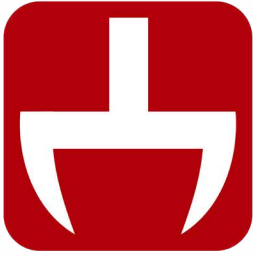
Seller warrants equipment of its own manufacture for a period of one (1) year from date of shipment to the Buyer, to the extent that Seller will, at its option repair or replace, f.o.b. point of manufacture, any such products if by reason of faulty material or workmanship, they prove defective under normal use and service and when properly installed, provided, however, that Seller does not in any manner whatsoever warrant seals or packing materials in equipment handling special or corrosive fluids operating at unusual temperatures or pressures, improper lubrication, misapplication, lighting, improper voltage supply, deterioration by chemical action, detrimental conditions, and wear caused by the presence of abrasive materials, bent components or products, do not constitute defects. EXCEPT TO THE EXTENT OF THE DESCRIPTIONS CONTAINED HEREIN, OR AS SPECIFIED ON SELLER'S ORDER ACKNOWLEDGMENT, THE FOREGOING IS IN LIEU OF ALL OTHER WARRANTIES, EXPRESS OR IMPLIED, INCLUDING THOSE OF MERCHANTABILITY OR FITNESS FOR ANY PURPOSE NOT EXPRESSLY SET FORTH HEREIN.

This warranty shall not apply to any equipment which has been subjected to misuse, neglect or accident, or has been altered or tampered with, placed on equipment exceeding it's rated capacity, or on which corrective work has been done without Seller's specific written, consent. Seller does not recommend and will not assume any responsibility for rebuilding, repairing, special plating, coating, welding, or heat treating done outside Seller's plant by or at the request of Buyer. This warranty shall not apply to repairs completed by dealer(s), or any other repairs without prior written approval from Seller. Products not of Seller's manufacture, and included with Seller's original equipment, and applied to Seller's products are not warranted in any way by Seller but carry only the manufacturer's warranty, if any. This warranty will be extended to the End User, with valid, proof of purchase, for new Seller product(s). This warranty does not cover used products, or products that have been purchased from unauthorized re-sellers (product dealers that are not approved by Seller and or private party sales, are unauthorized re-sellers).

UPON THE BUYER CONSIDERING A REPAIR THAT MAY CONSTITUTE AS A WARRANTY CLAIM, IT IS REQUIRED THAT THE BUYER CONSULT WITH THE SELLER PRIOR TO PERFORMING ANY WORK ON SELLER PRODUCTS TO PREVENT VOIDING THE WARRANTY. IF THIS IS NOT COMPLETED, THE BUYER ASSUMES COMPLETE RESPONSIBILITY FOR THE COST OF THE ENTIRE REPAIR. WARRANTIED PARTS ARE TO BE RETURNED TO THE SELLER IF REQUIRED BY THE SELLER AT THE TIME OF THE WARRANTY REQUEST BY THE BUYER.

Should you have questions on this policy or would like to make a warranty claim please contact us at:

Branch Manager LLC
PO BOX 440 Champlin, MN 55316
Phone: 763-421-6147
E-Mail: info@branchmanagerusa.com



BRANCH MANAGER ATTACHMENTS